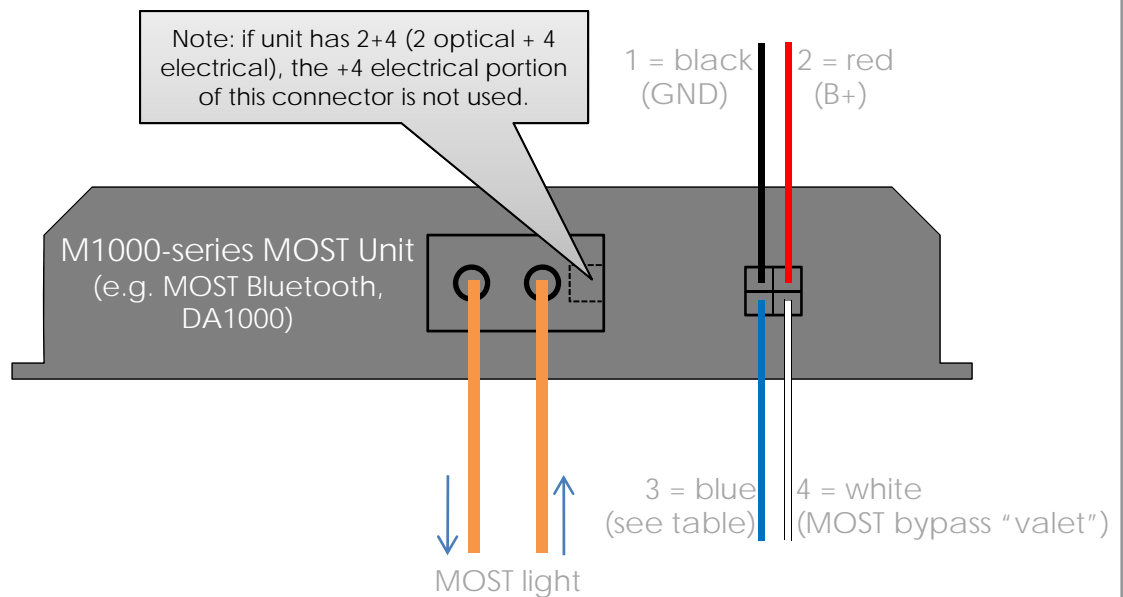


## Installation Note ▶ M1000 MOST Unit Connections



Wire / Color	Use in DA1000	Use in MOST Bluetooth
1 = Black	Ground (Battery --)	Ground (Battery --)
2 = Red	Power (B+ constant)	Power (B+ constant)
3 = Blue	Remote Amp Trigger	<i>Not used</i>
4 = White	"Valet" MOST bypass switch	"Valet" MOST bypass switch